

Holland® TRI-LO CHOCK

Model 3

FEATURES & BENEFITS

- Low profile design
- Lightweight
- Protective black powder coating
- Protective rubber coated tip
- Universal chock body
- Durable steel body
- Parts refurbished to like-new condition

WEIGHTS

Short Strap: 8.5 lbs.

Long Strap: 9.2 lbs.

SPECIFICATIONS AND PART NUMBERS

145470	Tri-Lo Chock	Model 3 w/ Short Strap
145480	Tri-Lo Chock	Model 3 w/ Long Strap
145470R	Tri-Lo Chock	Model 3 w/ Short Strap - REFURB
145480R	Tri-Lo Chock	Model 3 w/ Long Strap - REFURB

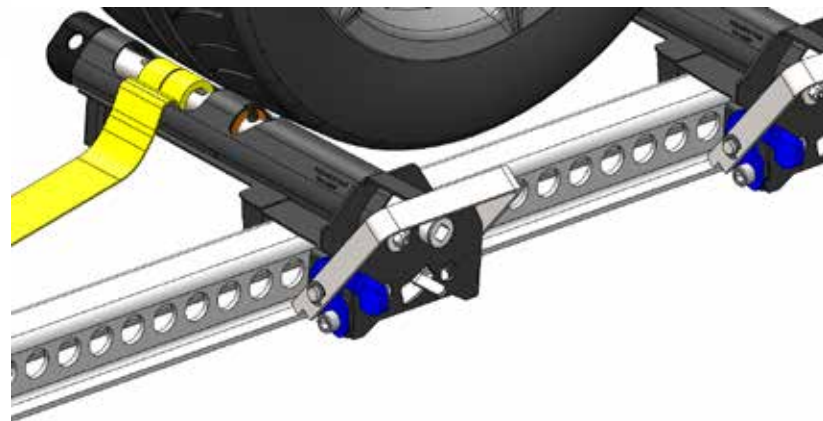
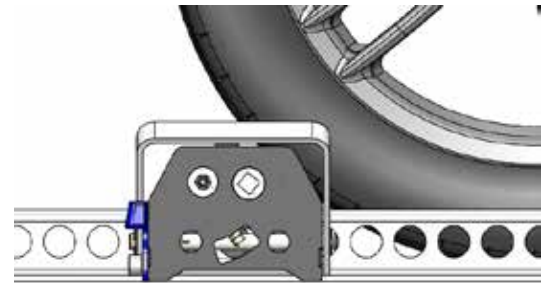
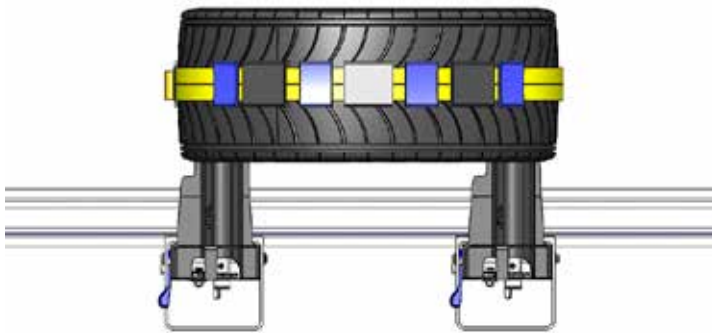
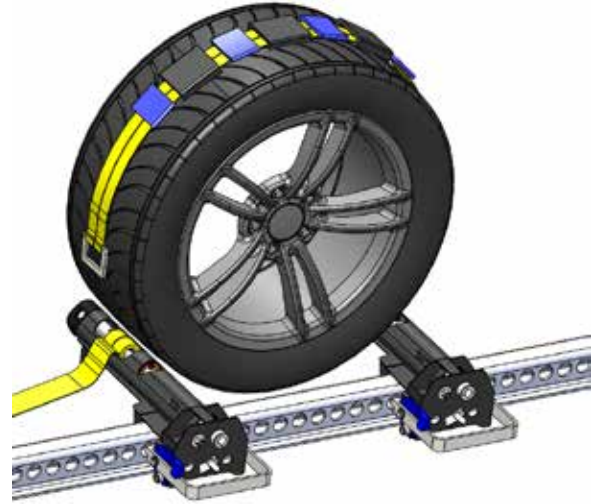
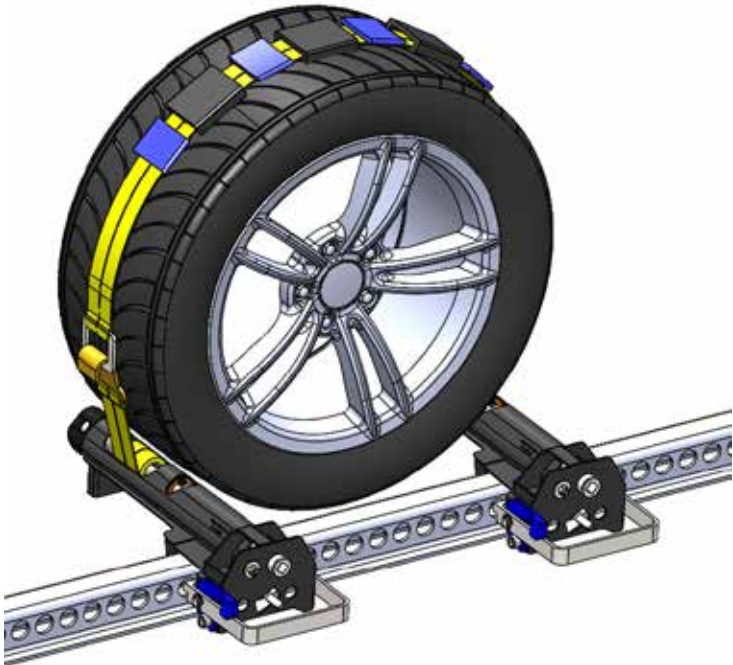
APPLICATION

The Tri-Lo Chock answers the industry's need for a low-profile chock for tri-level auto racks. It's durable design meets AAR Group D Clearance.



Holland® TRI-LO CHOCK

Model 3



hollandco.com
sales@hollandco.com

Holland LP
1000 Holland Drive
Crete, IL. 60417

708.672.2300